

Ball valves VZBE, 2-way

Type codes

VZBE - 1/4 - T - 63 - T - 2 - F0304 - V15 V15

Type	
VZBE	Ball valve

Nominal width DN	
1/4	1/4"
3/8	3/8"
1/2	1/2"
3/4	3/4"
1	1"
1 1/4	1 1/4"
1 1/2	1 1/2"
2	2"
2 1/2	2 1/2"
3	3"
4	4"

Process valve connection type	
T	NPT female thread

Nominal pressure	
63	63 bar

Design	
T	Three parts

Valve function	
2	2/2-way

Flanged connection to ISO 5211	
F0304	Hole pattern 03 and 04
F0405	Hole pattern 04 and 05
F0507	Hole pattern 05 and 07
F0710	Hole pattern 07 and 10
F1012	Hole pattern 10 and 12

Housing material	
V15	Stainless steel ASTM A351-CF8M/1.4408

Shut-off element material	
V15	Stainless steel ASTM A351-CF8M/1.4408
V16	Stainless steel ASTM A240-316/1.4401

Ball valves VZBE, 2-way


Technical data


Function



- 2-way ball valve made from stainless steel
- NPT version



 Connecting thread
1/4 NPT ... 4 NPT

 Flow rate
5.1 ... 435.2 m³/h

General technical data											
Process valve connection	1/4 NPT	3/8 NPT	1/2 NPT	3/4 NPT	1" NPT	1 1/4 NPT	1 1/2 NPT	2" NPT	2 1/2 NPT	3" NPT	4" NPT
Nominal width DN	8	10	15	20	25	32	40	50	65	80	100
Valve function	2/2										
Design	2-way ball valve										
Sealing principle	Soft										
Actuation type	Mechanical										
Switching position indication	Slot direction = flow direction										
Flow direction	Reversible										
Type of mounting	In-line installation										
Mounting position	Any										
Based on standard	ISO 5211										
	ASME B1.201										
Breakaway torque at differential pressure, nominal pressure, process valve PN [Nm]	7	7	7	9	15	18	25	35	55	70	90
Inside diameter [mm]	11.6	12.5	15	20	25	32	38	50	63	76	96
Flow rate Kv [m ³ /h]	5.1	5.8	8.5	15.6	25.1	42.6	61.6	111.8	181.9	264.5	435.2

Operating and environmental conditions											
Process valve connection	1/4 NPT	3/8 NPT	1/2 NPT	3/4 NPT	1" NPT	1 1/4 NPT	1 1/2 NPT	2" NPT	2 1/2 NPT	3" NPT	4" NPT
Nominal pressure of process valve PN	63										
Temperature of medium [°C]	-20 ... +200										
Medium	Compressed air to ISO 8573-1:2010 [:::]										
	Inert gases										
	Water – no water vapour										
	Neutral fluids										
Certification	CRN										
Corrosion resistance class CRC ¹⁾	4										
CE marking (see declaration of conformity) ²⁾	–						To EU Pressure Equipment Directive				

1) Corrosion resistance class CRC 4 to Festo standard FN 940070
Particularly high corrosion stress. Outdoor exposure under extreme corrosive conditions. Parts exposed to aggressive media, for instance in the chemical or food industries. These applications may need to be supported by special tests (→ also FN 940082) using appropriate media.

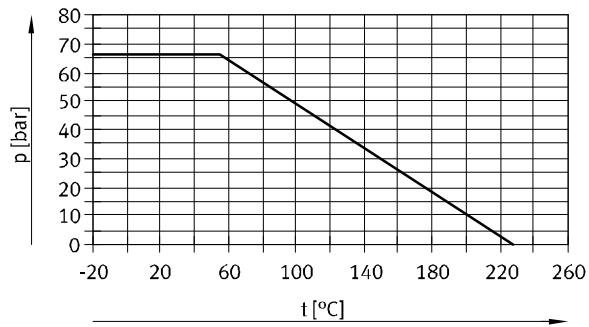
2) Additional information p → Certificates.

Ball valves VZBE, 2-way

Technical data

Materials		Material number
Housing	Stainless steel casting	1.4408
Ball	21/2NPT ... 4NPT	High-alloy stainless steel
	1/4NPT ... 2NPT	Stainless steel casting
Shaft	High-alloy stainless steel	1.4401
Seals	FPM	
	PTFE	
Note on materials	RoHS compliant	
	Contains paint-wetting impairment substances	


Permissible operating pressure p as a function of the temperature of the medium t

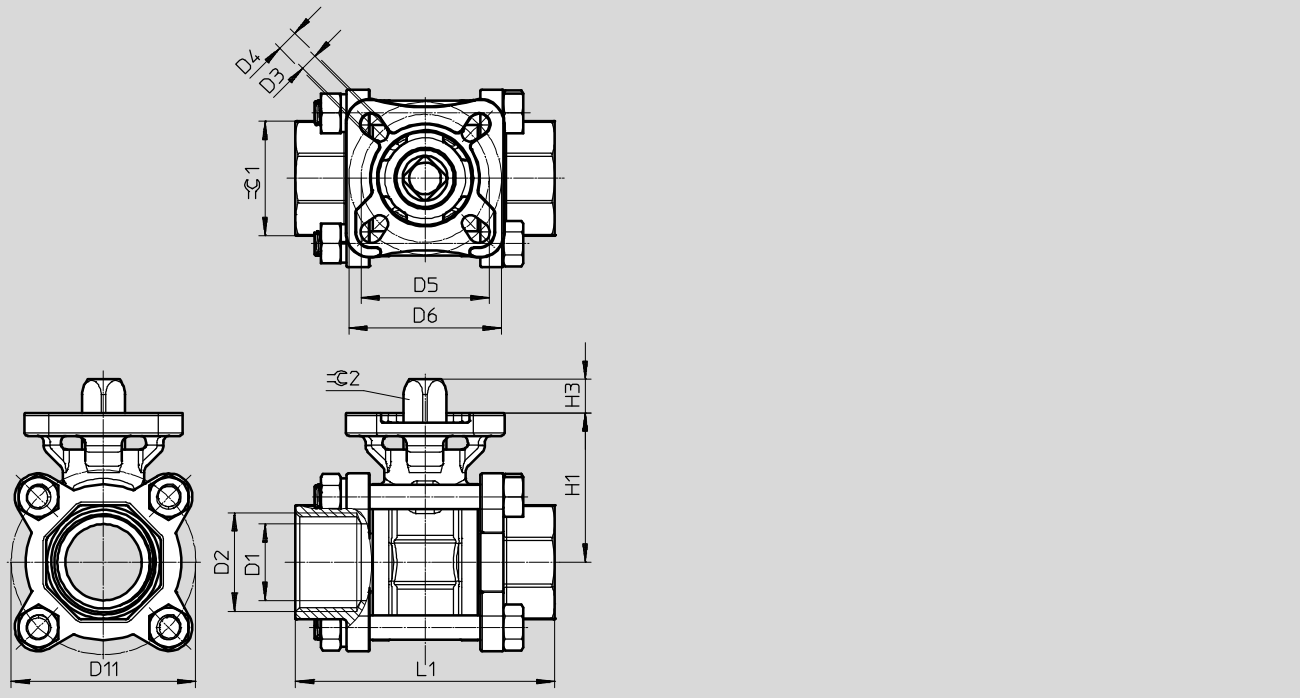


Ball valves VZBE, 2-way

Technical data

Dimensions

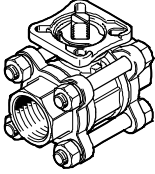
Download CAD data 



Type	D1 ∅	D2	D3 ∅	D4 ∅	D5 ∅	D6 ∅	D11 ∅	H1	H3	L1	≅C1	≅C2
VZBE-1/4-...	11.6	1/4 NPT	5.5	5.5	36	42	38	35.3	7.5	65	19.2	9
VZBE-3/8-...	12.5	3/8 NPT	5.5	5.5	36	42	38	35.3	7.5	65	22.5	9
VZBE-1/2-...	15	1/2 NPT	5.5	5.5	36	42	44	36.4	7.1	65	26	9
VZBE-3/4-...	20	3/4 NPT	5.5	5.5	36	42	52	39.5	7.3	75	32	9
VZBE-1-...	25	1" NPT	5.5	7	42	50	60.5	49	11	85	37.5	11
VZBE-1 1/4-...	32	1 1/4 NPT	5.5	7	42	50	74	54.2	11.5	101	48	11
VZBE-1 1/2-...	38	1 1/2 NPT	7	9	50	70	86	64.6	12.4	112	55	14
VZBE-2-...	50	2" NPT	7	9	50	70	102.5	72.5	13.6	130	67	14
VZBE-2 1/2-...	63	2 1/2 NPT	9	11	70	102	129	92	16.3	162	85	17
VZBE-3-...	76	3" NPT	9	11	70	102	146.5	100	16.3	188	100	17
VZBE-4-...	96	4" NPT	11	13	102	125	186.4	130	20.5	224	130	22

Ball valves VZBE, 2-way

Technical data

Ordering data				
	Process valve connection	Weight [g]	Part No.	Type
	1/4 NPT	460	4836917 ¹⁾	VZBE-1/4-T-63-T-2-F0304-V15V15
	3/8 NPT	460	4836918 ¹⁾	VZBE-3/8-T-63-T-2-F0304-V15V15
	1/2 NPT	560	4809117 ¹⁾	VZBE-1/2-T-63-T-2-F0304-V15V15
	3/4 NPT	660	4809118 ¹⁾	VZBE-3/4-T-63-T-2-F0304-V15V15
	1" NPT	1000	4809119 ¹⁾	VZBE-1-T-63-T-2-F0405-V15V15
	1 1/4 NPT	1600	4809120 ¹⁾	VZBE-1 1/4-T-63-T-2-F0405-V15V15
	1 1/2 NPT	2420	4809121 ¹⁾	VZBE-1 1/2-T-63-T-2-F0507-V15V15
	2" NPT	3520	4809122 ¹⁾	VZBE-2-T-63-T-2-F0507-V15V15
	2 1/2 NPT	5050	4809123 ¹⁾	VZBE-2 1/2-T-63-T-2-F0710-V15V16
	3" NPT	7750	4809124 ¹⁾	VZBE-3-T-63-T-2-F0710-V15V16
	4" NPT	15800	4809126 ¹⁾	VZBE-4-T-63-T-2-F1012-V15V16

1) Festo is only a retailer of this product, not the manufacturer.

Ball valves VZBE, 2-way

Accessories

FESTO

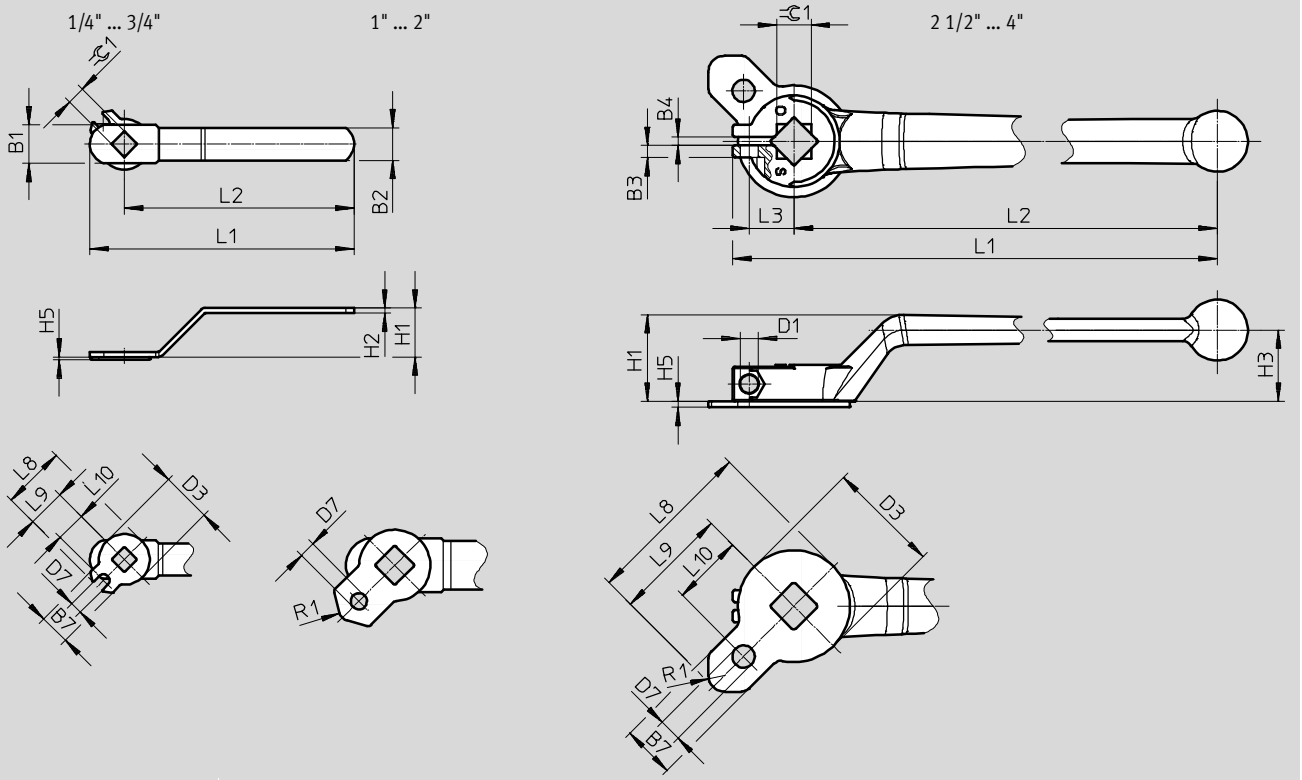
Hand lever VAOH

- High-alloy stainless steel
- Free of copper and PTFE
- RoHS compliant
- Contains paint-wetting impairment substances
- Lockable



Dimensions and ordering data

Download CAD data [→](#)



Dimensions and ordering data

For connection	B1	B2	B3	B4	B7	D1	D3	D7	H1	H2	H3	H5	L1
						∅	∅	∅					
1/4" ... 3/4"	19	16	-	-	15.8	-	25	6	24	2.5	-	1.5	130
1" ... 1 1/4"	22.5	20	-	-	17.8	-	29	7	26	4	-	1.8	160
1 1/2" ... 2"	26.5	24	-	-	26	-	35	8	34.5	5	-	2	194
2 1/2" ... 3"	-	-	6	4	27.5	9	55	11	42.5	-	35	3	355
4"	-	-	6	4	27.5	9	70	12	42.5	-	38	3	355

For connection	L2	L3	L4	L8	L9	L10	R1	∅C1	CRC ²⁾	Weight [g]	Part No.	Type
								±0.5				
1/4" ... 3/4"	113	-	-	33.5	21.1	18	-	9	3	40	4895383 ¹⁾	VAOH-F7-9-H9-A-22
1" ... 1 1/4"	138.5	-	-	41.5	27	21	6	11	3	100	4895384 ¹⁾	VAOH-F7-11-H9-A-22
1 1/2" ... 2"	170	-	-	54	36.5	25	5	14	3	180	4895385 ¹⁾	VAOH-F7-14-H9-A-22
2 1/2" ... 3"	325	22	7.5	83.6	56.1	35	8	17	3	850	4895386 ¹⁾	VAOH-F7-17-H9-A-22
4"	325	22	7.5	102.7	67.7	51	7	22	3	900	4895387 ¹⁾	VAOH-F7-22-H9-A-22

1) Festo is only a retailer of this product, not the manufacturer.

2) Corrosion resistance class CRC 3 to Festo standard FN 940070

High corrosion stress. Outdoor exposure under moderate corrosive conditions. External visible parts with primarily functional requirements for the surface and which are in direct contact with a normal industrial environment.

